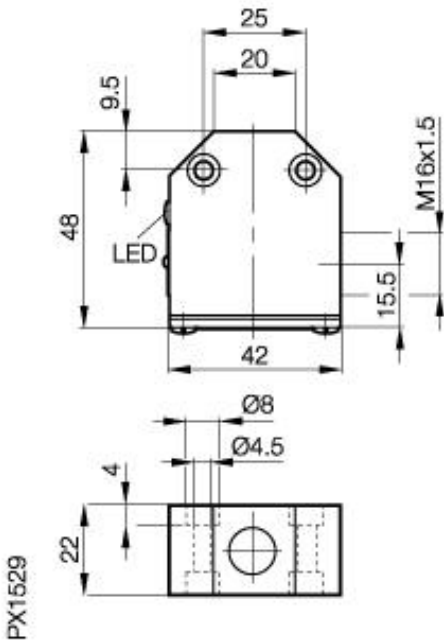


Inductive Sensors
BES 516-344-H2-Y
22 x 42 x 48
normally-open
Sn=5mm
shielded



Common Data

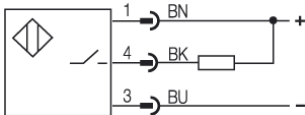
| | |
|--------------------------------|-------------|
| Product name | H0 |
| Mounting in steel | shielded |
| Rated operating distance Sn | 5mm |
| Assured operating distance Sa | 0...4.0mm |
| Repeatability R | ≤ 5% |
| Hysteresis | ≤ 15% |
| Function indication | yes |
| Ambient temperature range | -25...+70°C |
| Polution Degree | 3 |
| Time delay before availability | ≤ 10ms |

Mechanical Data

| | |
|---|-----------------|
| Measurements BxHxT or DxT | 22 x 42 x 48mm |
| Housing material | Aluminium alloy |
| Material of sensing face | PA 12 |
| Degree of protection | IP67IP |
| Connection | Screw terminals |
| Schock: Halfsinus, 30 gn, 11ms | |
| Vibration: 55 Hz, 1mm Amplitude, 3 x 30 Minutes | |

Electrical Data

| | |
|-------------------------------------|---------------|
| Current type | DC |
| Wiring | 3-Wire |
| switching function | normally-open |
| Output signal | NPN |
| Rated operational voltage | 24 DCV |
| Rated operational current | 130mA |
| Supply voltage | 10...30 DCV |
| Ripple | ≤ 15% |
| max. switching frequency | 500Hz |
| No-load supply current | ≤ 25/≤ 15mA |
| Off-state current | ≤ 80µA |
| Voltage drop | ≤ 3.5/-V |
| Short circuit protection | yes |
| Protected against polarity reversal | yes |



Utilization categories
 Insulation class

DC 13
 II

Datasheet number:

Definitions see general catalog.
 If not otherwise noted, ratings according to
 IEC 60947-5-2 (DIN EN60947-5-2)

Balluff GmbH
 Schurwaldstrasse 9
 73765 Neuhausen a.d.F.
 Phone (07158) 173-0 Fax (07158) 5010

Datenblatt by CD-ROM - 04/2007

BALLUFF
 sensors worldwide